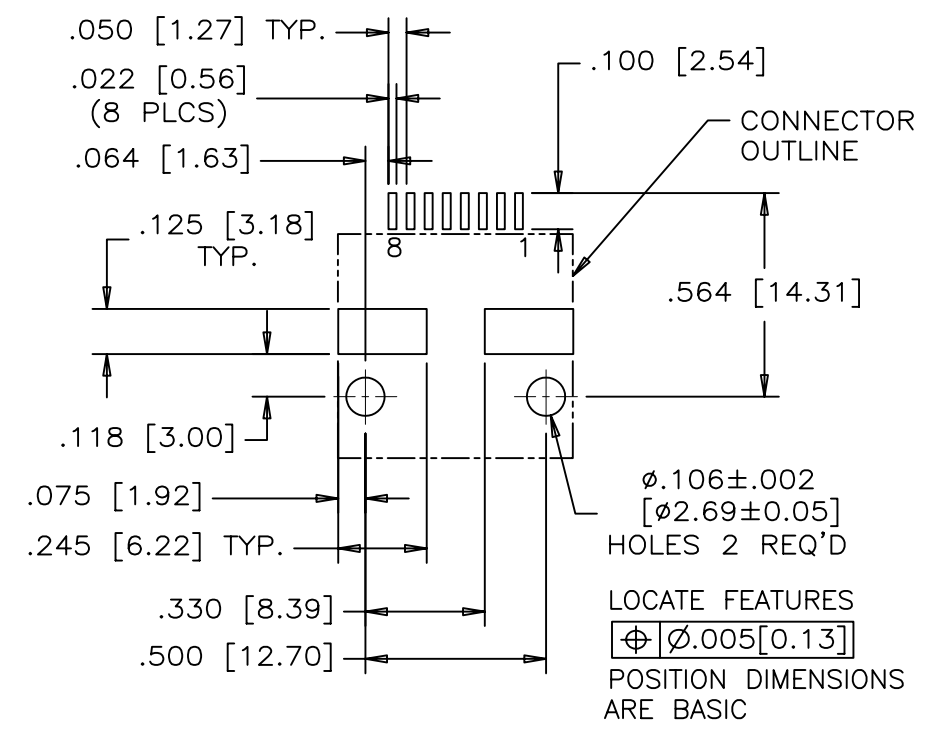
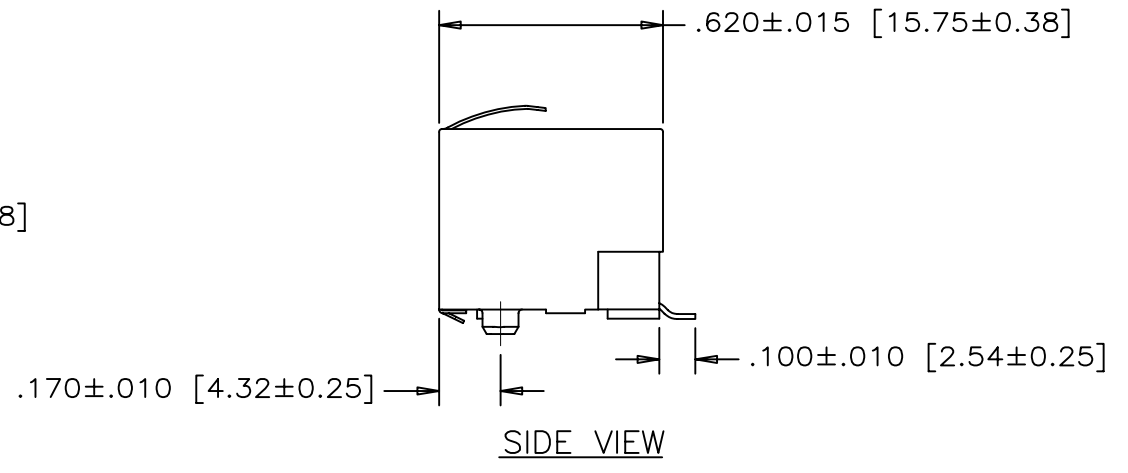
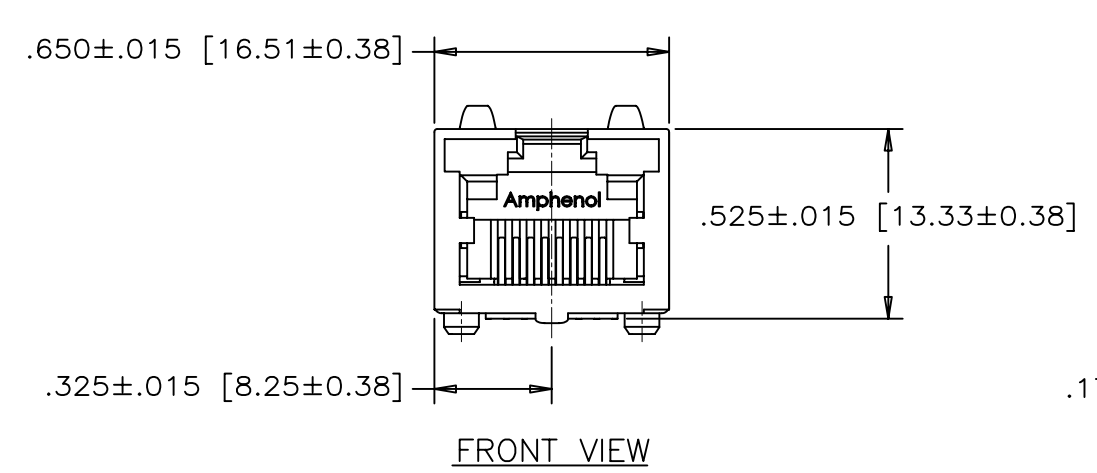
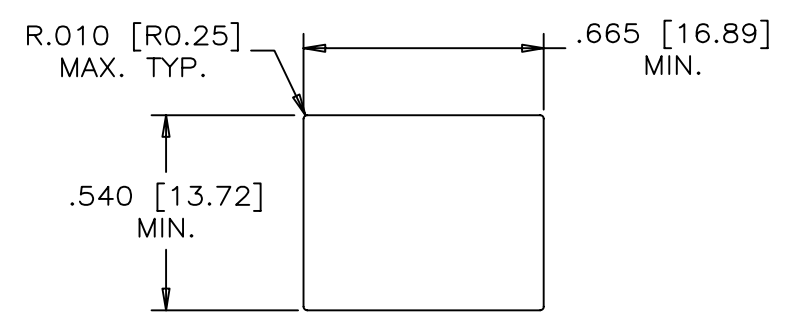


REVISIONS				
SYM	ZONE	ECN, ERN NO.	DATE	APPRD.
A		PROPOSAL	02/21/06	L.CHAN



**RECOMMENDED P.C.B. LAYOUT**  
(COMPONENT SIDE OF BOARD)



**MATERIALS:**  
 PLASTIC HOUSING: HIGH TEMPERATURE THERMOPLASTIC  
 FLAMMABILITY RATING UL 94V-0

**CONTACTS:** PHOSPHOR BRONZE  
 PLATING: 20 μ" [0.51 MICRONS]  
 MIN. GOLD ON MATING SURFACES.  
 50 μ" [1.27 MICRONS]  
 MIN. NICKEL UNDERPLATE  
 100 μ" [2.54 MICRONS]  
 MIN. MATTE TIN ON CONTACT

**TAILS.**

**SHIELD:** COPPER ALLOY  
 PLATING: NICKEL

**PART NUMBER: RJSSE-5380**

DRAWN PAULW	DATE 02/21/06	<b>Amphenol Canada Corp.</b>		
DESIGNED				
CHECKED CHIGOW	DATE 02/21/06	TITLE SINGLE PORT, SURFACE MOUNT, RJ45 MODULAR JACK, 8 POSITION, 8 CONTACTS, SHIELDED, NO SIDE TABS, WITHOUT LEDs		
I. E. APPRD.		DWG	DRAWING NO.	REV.
Q. A. APPRD.				
DWG. APPRD.		P-RJSSE-5380		A
ENG. REL. NO.		SCALE	WT. -----	SURF. -----
REF.		SHEET 1 OF 1		
DIMENSIONS ARE IN INCHES [mm]	CODE ID. NO. 03554			

THIS DOCUMENT CONTAINS PROPRIETARY INFORMATION AND SUCH INFORMATION MAY NOT BE DISCLOSED TO OTHERS FOR ANY PURPOSE OR USED FOR MANUFACTURING PURPOSES WITHOUT WRITTEN PERMISSION FROM AMPHENOL CANADA CORP.